

# ALUMINUM BOTTOM DUMP



Finally, a heavy-duty, yet lightweight all aluminum bottom dump with all these profit producing features:

- Lightweight - as low as 9,650 lbs.
- Aerodynamic - increased fuel economy
- Loaded with standard features
- Big standard payload
- Rocking upper coupler
- Aluminum components and construction



*DOUBLES*



*TRI-AXLE OR SPREAD AXLE CONFIG.*



*ALUMINUM GATES*



*HOPPER*

The Travis Aluminum bottom dump weighs approximately 2 tons less than most competitors steel trailers. This weight savings will increase your payloads and profits by up to 10% or more. Because of the dramatically lower weight, we have included a standard hopper capacity of 24 yards, to handle the additional payload. We also offer even larger capacities for lighter commodities, or higher weight limits.

It is loaded with standard features, including front and rear fenders, aluminum sub-frame, aluminum shed/slope plates, infinitely adjustable electric valve, sloped, aerodynamic hopper sides, and a standard payload volume of 24 cubic yards.

It also includes steps and safety handrails on the front shedder plate.

The hopper opening is 19 feet at the top and the beefy aluminum gate is a generous 106" by 50".

Engineered tough, designed with the features you want, and best of all, it's a Travis.

Calculate your profits  
on our website:  
[www.travistrailers.com](http://www.travistrailers.com)

# ALUMINUM BOTTOM DUMP

## Standard Specifications

### All Aluminum Construction

- Extruded longitudinal tubular lower rails
- Extruded top rail
- Extruded horizontal rail
- Extruded I-beam sub-frame
- Extruded aluminum drop legs (mounted on gates)
- .160" aluminum hopper sides and slope plates (Aerolite)
- OR**
- Wave dual-wall extruded aluminum sides (Wave)
- .250" aluminum chute ends and sides
- .250" aluminum gate inner sheet
- .125" aluminum outer shed plates
- Aluminum front and rear fenders
- Side-wall slope is 12 degrees from vertical
- 99" outside body width/91" inside at top rail

### Gate

- All aluminum construction
- .250" 5454 H34 aluminum chute
- 106" x 50" opening, 14" ground clearance
- Infinitely adjustable electric gate valve with dryer and oiler, and includes the cable and jogging valve for cab controlled operation
- (2) 8" diameter, 26" stroke composite air cylinders with positive stops

### Underbody/suspension

- Rocking upper coupler, 2" dia. Steel pin, 8 degree oscillation
- 5/16" T-1 steel coupler plate
- Hutchens C9700 single leaf, 4 spring suspension, bolt-on type
- Aluminum subframe
- Axles: 5" round, 25,000 lb. capacity, 5/8" wall, common inner/outer bearings
- Automatic slack adjusters
- Meritor Wabco ABS 4S/2M, (exceeds Federal standard)
- Cast steel hubs—hub piloted
- Outboard drums
- Radial tires (choice of size)
- Steel disc wheels, hub-piloted white

See videos of this trailer on our website:  
[www.travistrailers.com/albd](http://www.travistrailers.com/albd)

Travis reserves the right to change these specifications at any time without notice.



### OPTIONAL PUSH BUMPER

### Other Standard Features

- Aluminum front & rear fenders
- Ladder on front shedder plate with safety rails & steps
- HMW plastic, windrow deflector
- D.O.T. conspicuity tape (3M)
- Silver enamel paint on steel parts
- Anti-spray, anti-sail rear mud flaps
- Truck-Lite sealed light system
- Removable aluminum drop legs

### Popular Options

- 13' gates and larger hopper opening for increased capacity
- Taller hopper sides or top board extensions
- Suspensions including air ride, tri-axle, spread axle
- Doubles, or trains for Western states
- Aluminum wheels and Wide base/Super-single tire and wheel options
- Lightweight hub and drum
- Push bumper
- Thicker walls, or chutes
- Tarps, side roll, front to back, or mousetrap style

NOTE: ALBD 39/24, with aluminum wheels, super single tires, alum. hubs/centrifuse drums, PSI system and tarp, weighs in at 9760 lbs!

Distributed By

### Travis Body & Trailer, Inc.

Houston 800.535.4372  
Tulsa 800.298.2178  
Atlanta 800.622.3867

info@travistrailers.com  
www.travistrailers.com

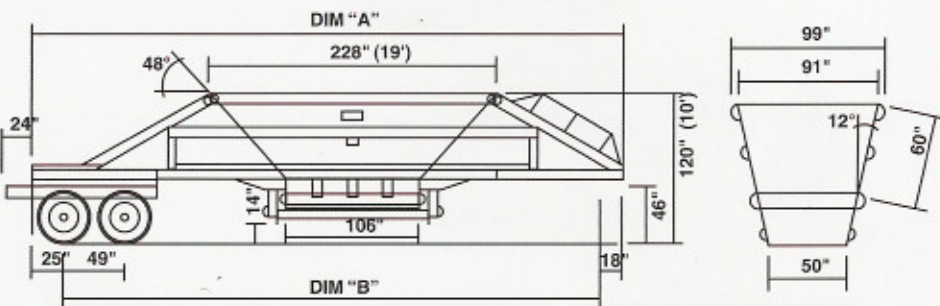


Chart of Standard Dimensions and Data—Based on Standard Specifications

Model	Capacity	Dimension A (OAL)	Dimension B (Kp to CRA)	Lower Hopper Size	Approximate Weight
ALBD37/24	24 cu. yd.	446" (37' 2")	403" (33' 7")	106" x 50"	10,400 lb.
ALBD39/24	24 cu. yd.	470" (39' 2")	427" (35' 7")	106" x 50"	10,500 lb.
ALBD42/24	24 cu. yd.	506" (42' 2")	463" (38' 7")	106" x 50"	10,700 lb.

